

8 7 6 5 4 3 2 1

D

D

C

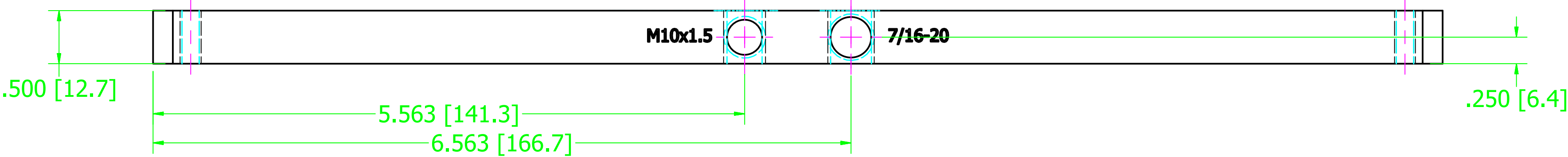
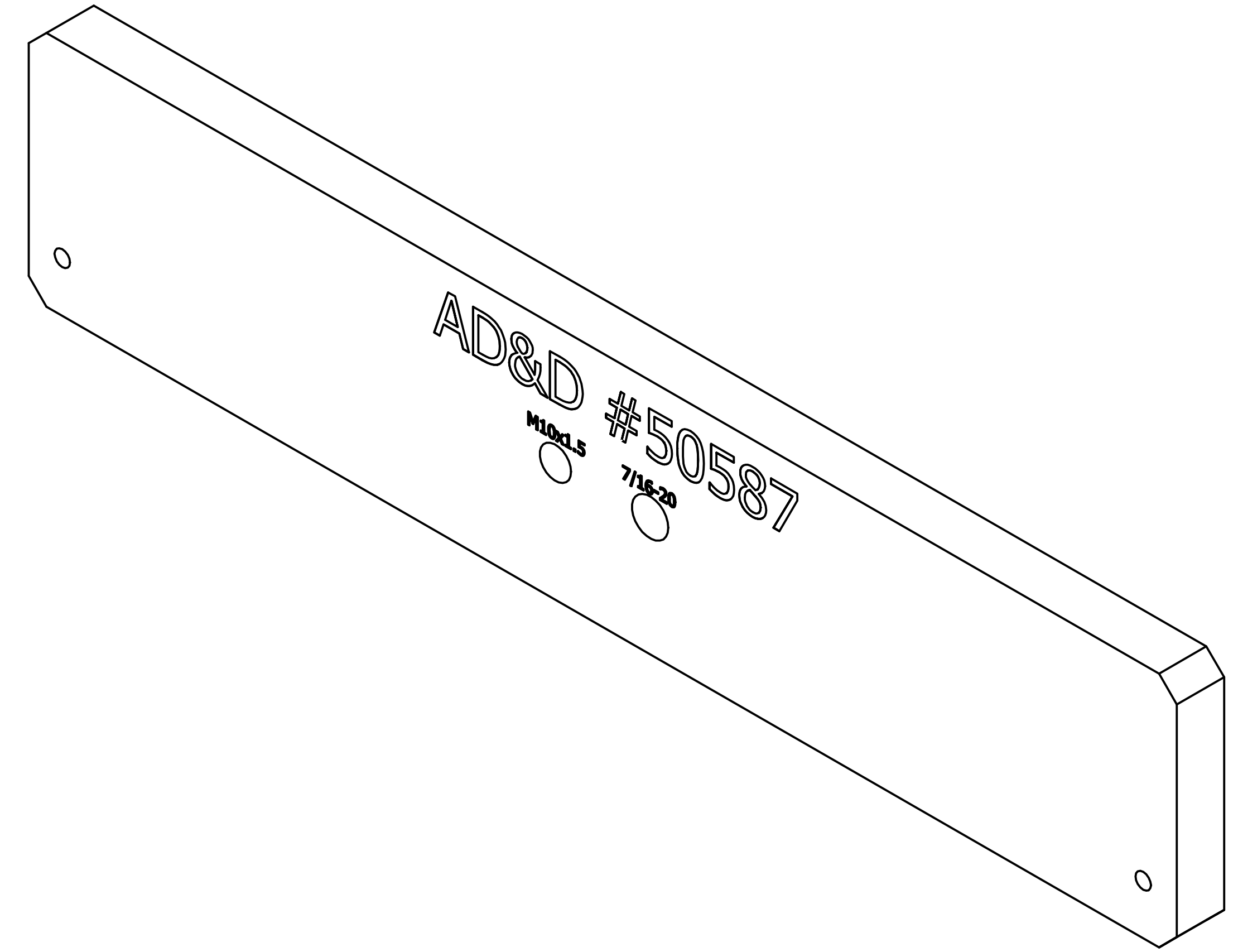
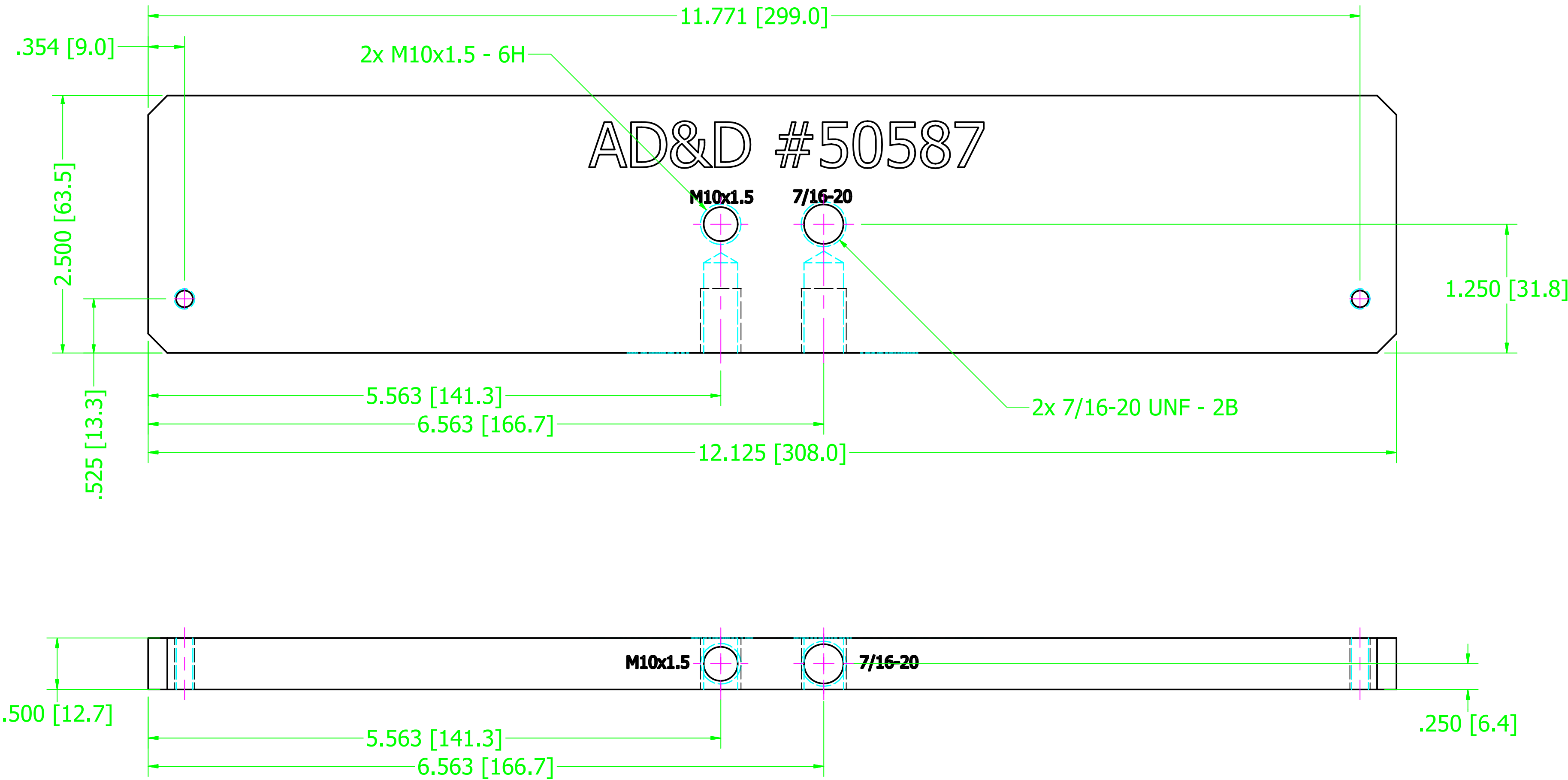
C

B

B

A

A



REV	DESCRIPTION	DATE	DWN	CHK
A (1)		x/xx/xx	X	X

REVISIONS

Automated Drive and Design, LLC

DESCRIPTION **1" PRODUCT MOUNTING BRACKET FOR SMART VISION LIGHT L300**

SCALE: FULL DRAWN JS DATE 03/23/11
 CHECKED X DATE
 SHEET SIZE D APPROVED X DATE
 No. OF SHEETS PART No. 50587
 SHEET No.

MATERIAL:

BREAK ALL SHARP CORNERS
 MARK DETAILS WITH PART No.
 UNLESS OTHERWISE SPECIFIED

STANDARD TOLERANCE
 UNLESS OTHERWISE SPECIFIED

2 PLACE DEC. ± .03
 3 PLACE DEC. ± .005
 4 PLACE DEC. ± .0005
 ANGLES ± 1°

8 7 6 5 4 3 2 1