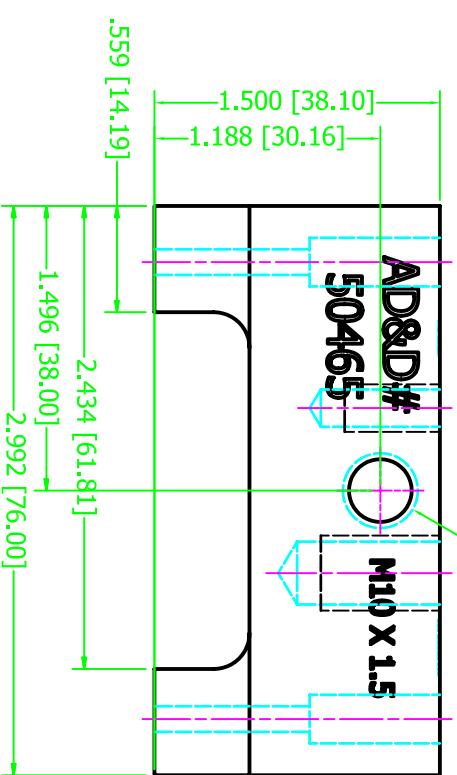
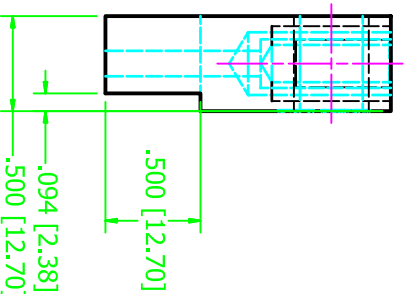
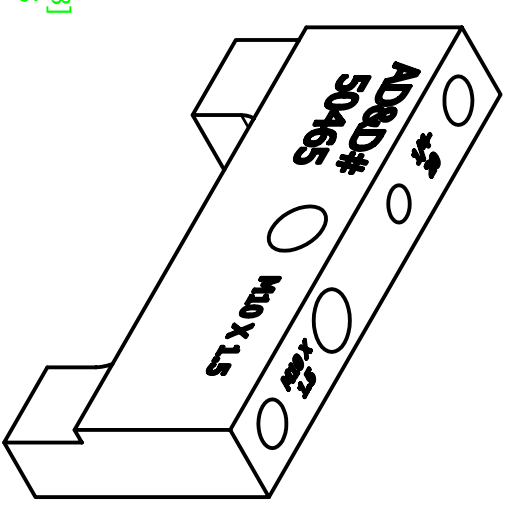
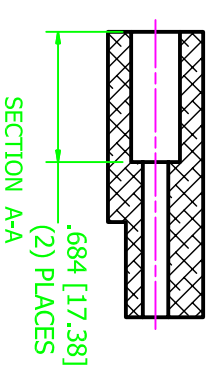
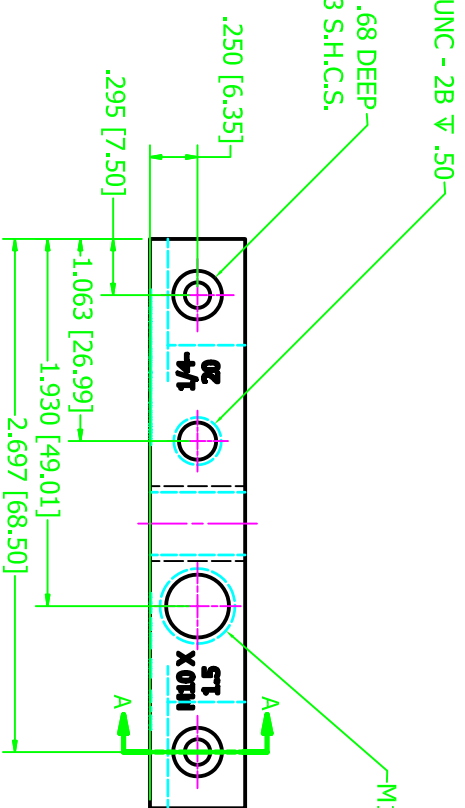


1/4-20 UNC - 2B T .50  
2X DRILL(#26 DRILL) & CBORE .68 DEEP  
FOR M3 S.H.C.S.



SUPPLIED WITH  
CAMERA  
M3-0.5 X 25MM LG.  
S.H.C.S.

CAMERA  
APPLICATIONS:  
DALSA PIRANHA COLOR

50465