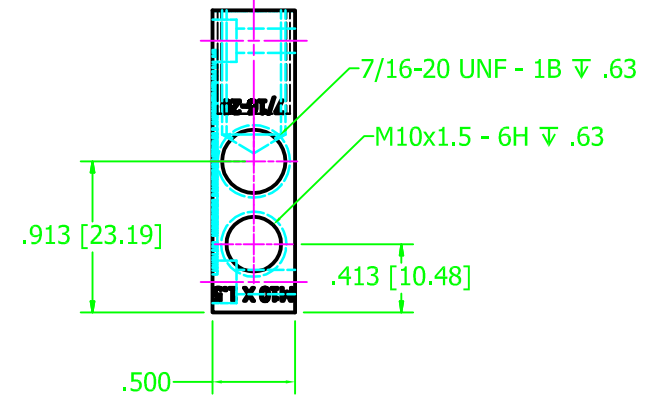
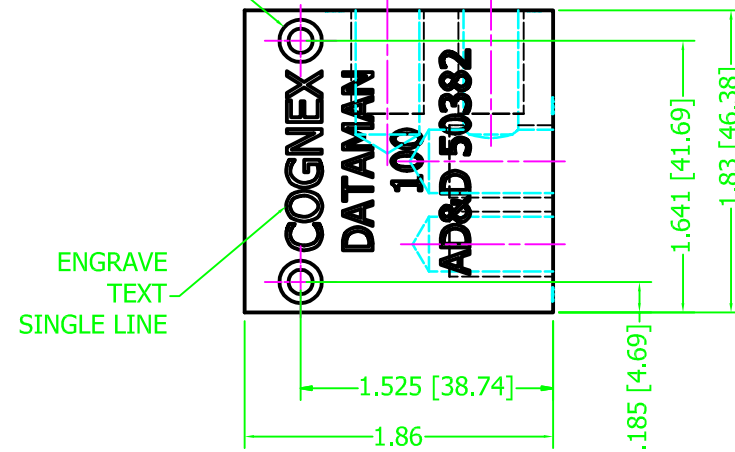


2X DRILL & C'BORE .15 DEEP FOR M3 S.H.C.S.



SUPPLIED WITH  
M3-0.5 X 12MM LG. S.H.C.S. AD&D  
PART #50383

**CAMERA  
APPLICATIONS:**  
COGNEX DATAMAN 100<sup>JS</sup>

**50382**