

50350
1/4-20 X 1/2 LG.
S.H.S.S. W/ NYLOCK
MCMASTER# 94495A245
(1) SUPPLIED

50348
7/16-20 X 1.50 LG.
S.H.C.S. (1) SUPPLIED

SECTION A-A

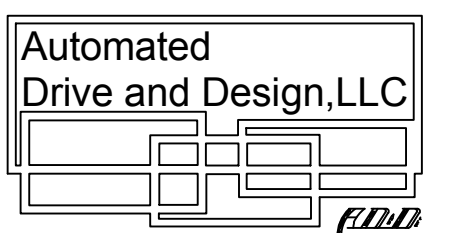
6" QUICK CLAMP

SCALE OF CLAMP MAY NOT
BE CORRECTLY REPRESENTED
DUE TO SUPPLIER CHANGES

MATERIAL:

BREAK ALL SHARP CORNERS
MARK DETAILS WITH PART No.
UNLESS OTHERWISE SPECIFIED

STANDARD TOLERANCE
UNLESS OTHERWISE SPECIFIED
2 PLACE DEC. ± .03
3 PLACE DEC. ± .005
4 PLACE DEC. ± .0005
ANGLES ± 1°

REV	DESCRIPTION	DATE	DWN	CHK
A (1)		x/xx/xx	X	X
REVISIONS				
				
DESCRIPTION 1" PRODUCT TABLE QUICK CLAMP ASSEMBLY				
SCALE: FULL		DRAWN JS	DATE 03/23/11	
SHEET SIZE D		CHECKED X	DATE	
		APPROVED X	DATE	
No. OF SHEETS		PART No. 50344		
SHEET No.				