

50360
M6 X 20MM LG.
S.S. S.H.C.S.
(10) REQ'D

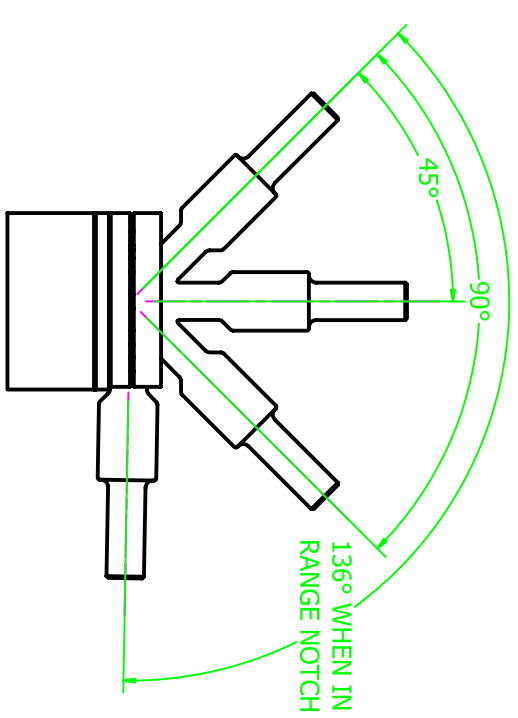
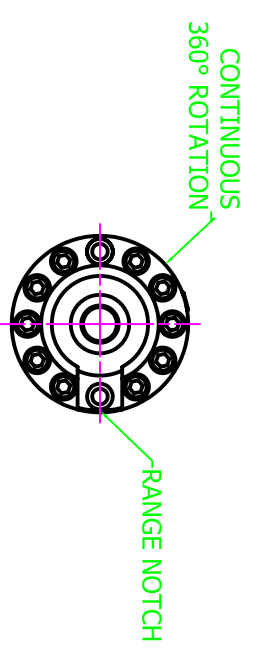
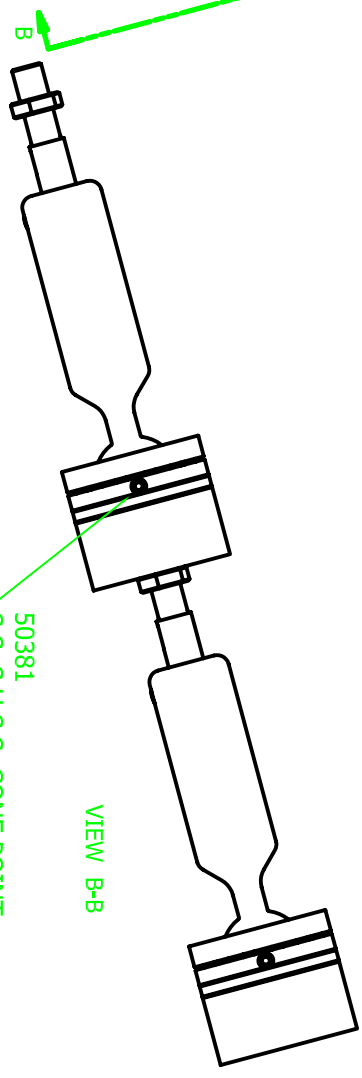
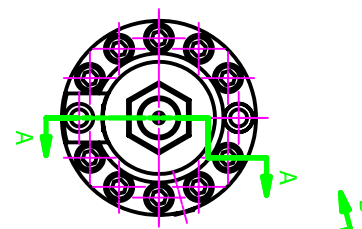
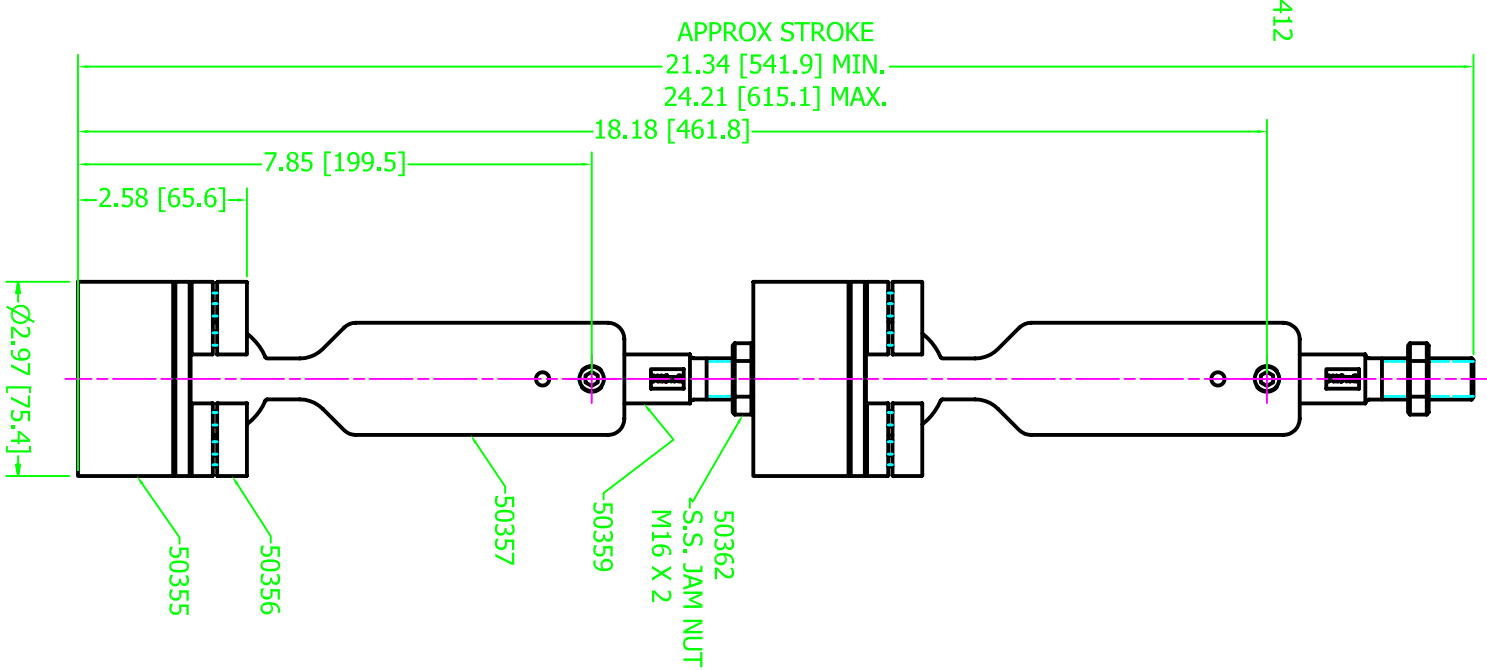
CBORED FOR
M14 S.H.C.S.

THD'D FOR
M16 X 2 THD.

SECTION AA

CBORED FOR
M6 S.H.C.S.
(2) PLACES

THD'D FOR
M8 X 1.25 BOLT
(2) PLACES



"METRIC"

2TM16+2TM16

SEE LITERATURE
& LABEL FOR
MOUNTING STYLES

