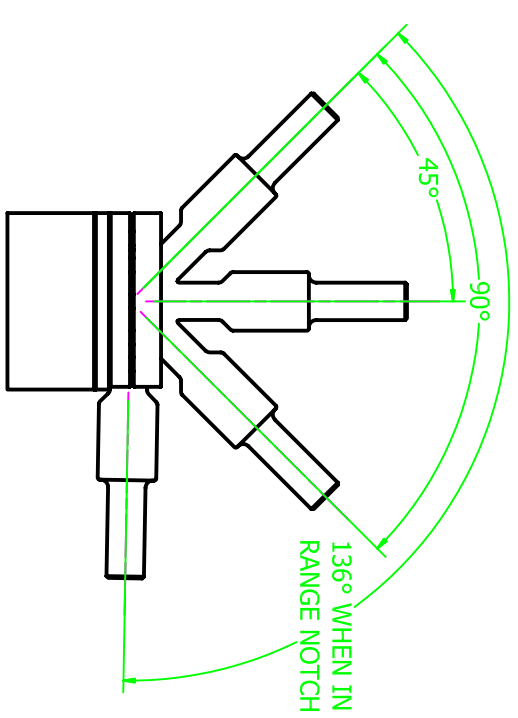
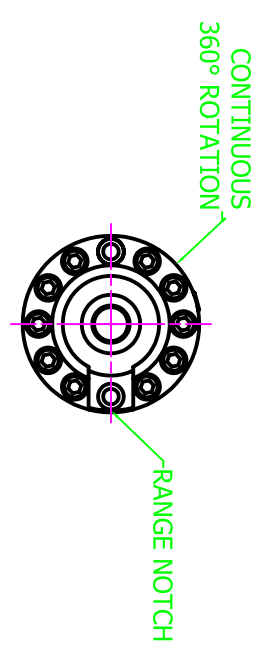


APPROX STROKE
17.04 [432.9] MIN.
19.91 [505.8] MAX.

13.89 [352.7]
2.58 [65.6]
Ø2.97 [75.4]



"METRIC" 2BM16+2TM16

SEE LITERATURE
& LABEL FOR
MOUNTING STYLES

