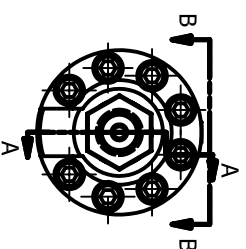
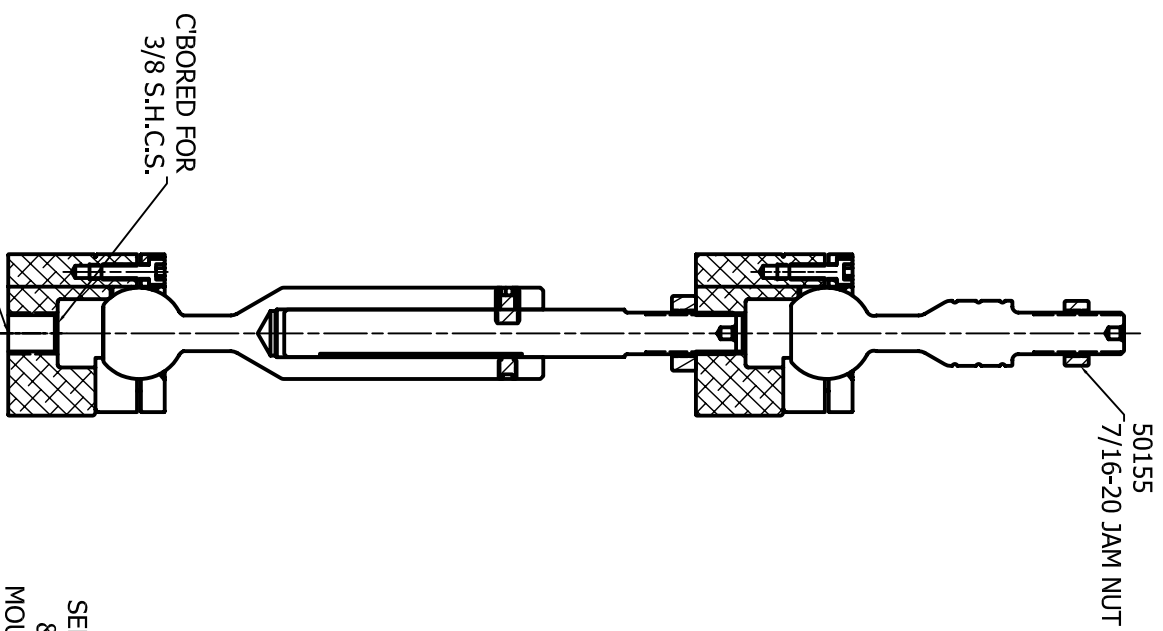
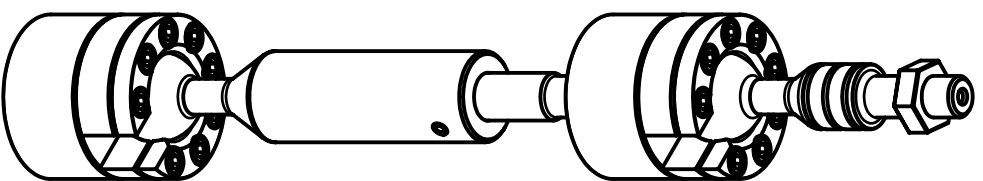


VIEW B-B



CONTINUOUS
360° ROTATION

RANGE NOTCH



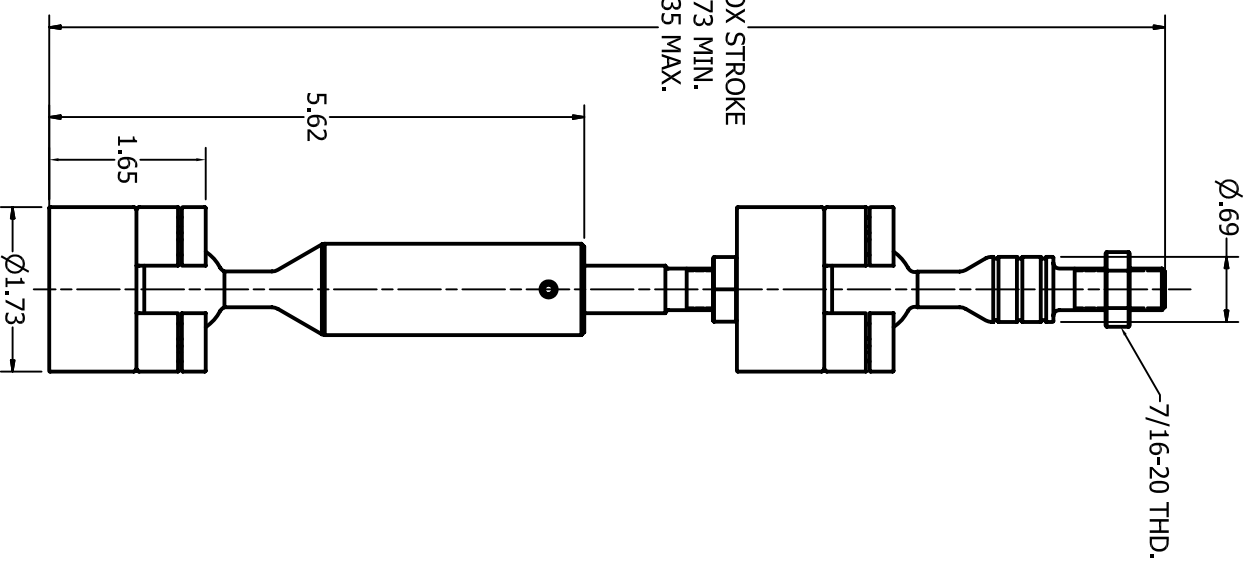
THDD FOR
7/16-20 BOLT

C'BORED FOR
3/8 S.H.C.S.

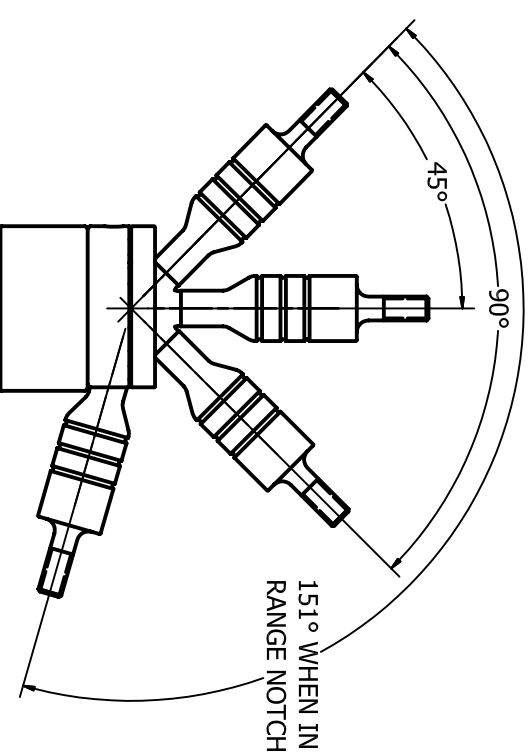
SECTION A-A

SEE LITERATURE
& LABEL FOR
MOUNTING STYLES

APPROX STROKE
11.73 MIN.
13.35 MAX.



TYPICAL SINGLE
ARTICULATION
THIS VIEW
1/2 SCALE



151° WHEN IN
RANGE NOTCH

1T43+1B43