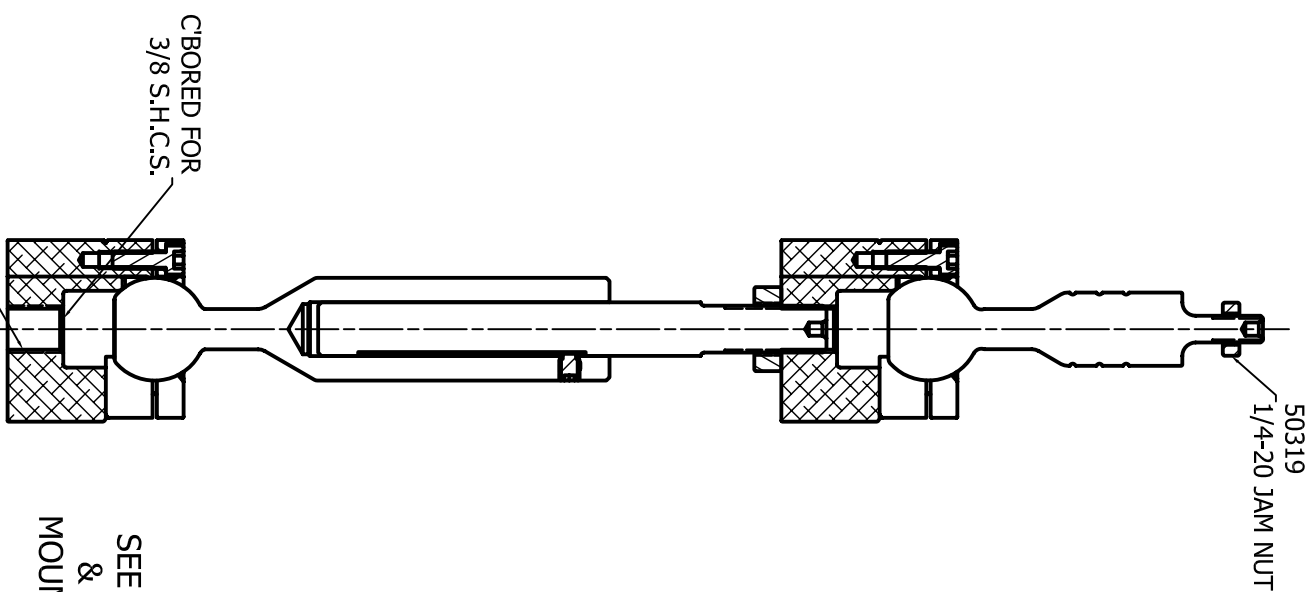
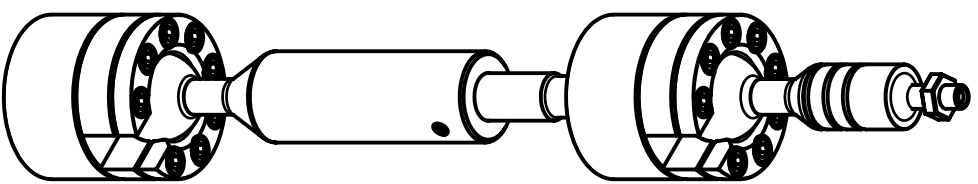
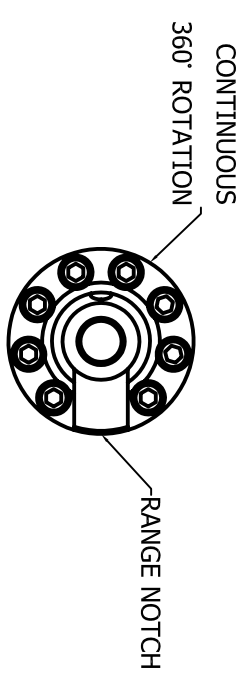
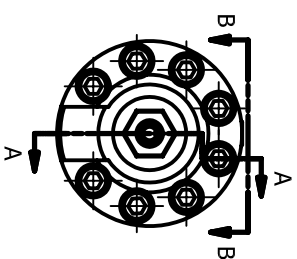
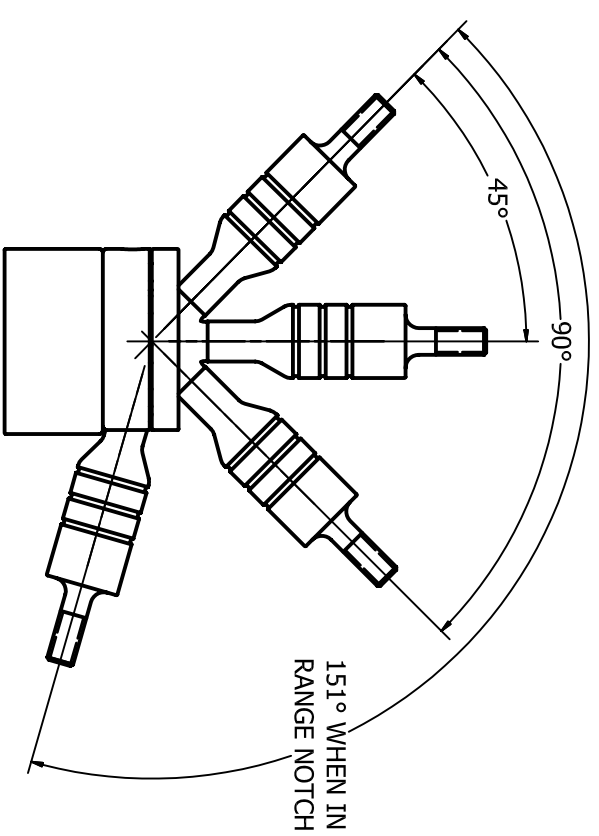
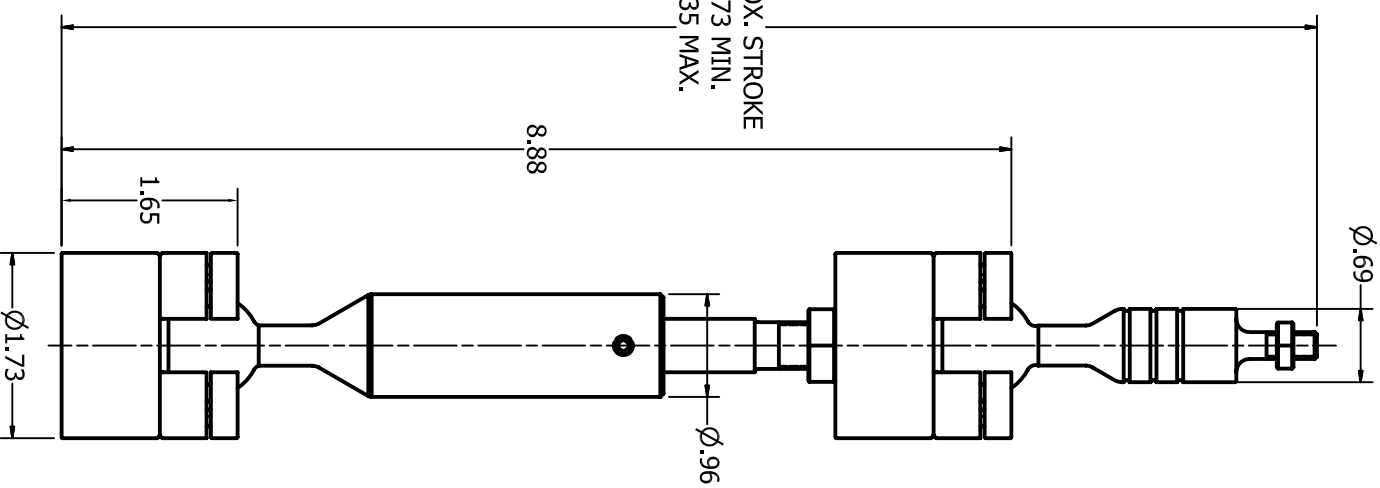


VIEW B-B



APPROX. STROKE
11.73 MIN.
13.35 MAX.



TYPICAL SINGLE
ARTICULATION
THIS VIEW
1/2 SCALE

1T43+1B25

