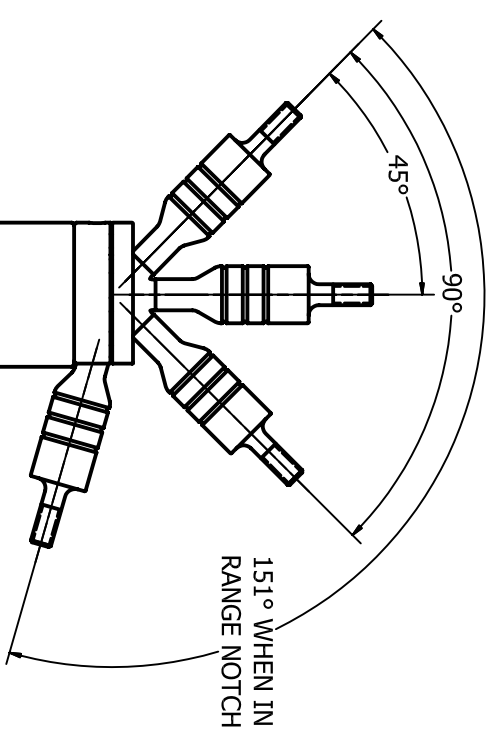
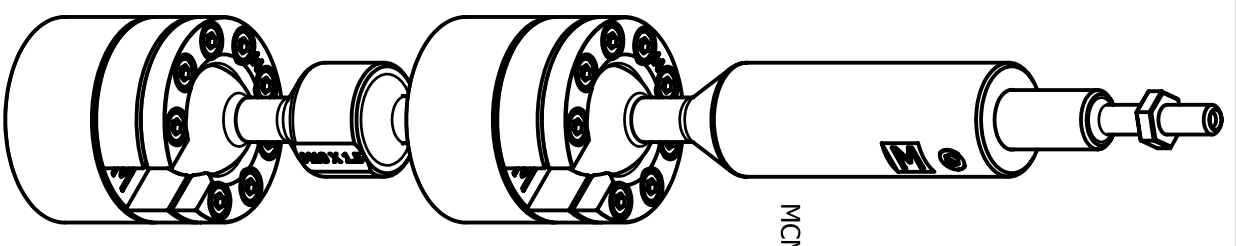


50372
S.S. S.H.S.S. CONE POINT
M6 X 10MM LG.
MCMASTER CARR# 91217A220

50373
M6 X 6MM LG.
S.S. S.H.C.S. HALF DOG
MCMASTER CARR# 92775A210

50319
S.S. JAM NUT
1/4-20



50371
M4 X 12MM LG.
S.S. S.H.C.S.
(8) REQ'D

50374
S.S. JAM NUT
M10 X 1.5

50368

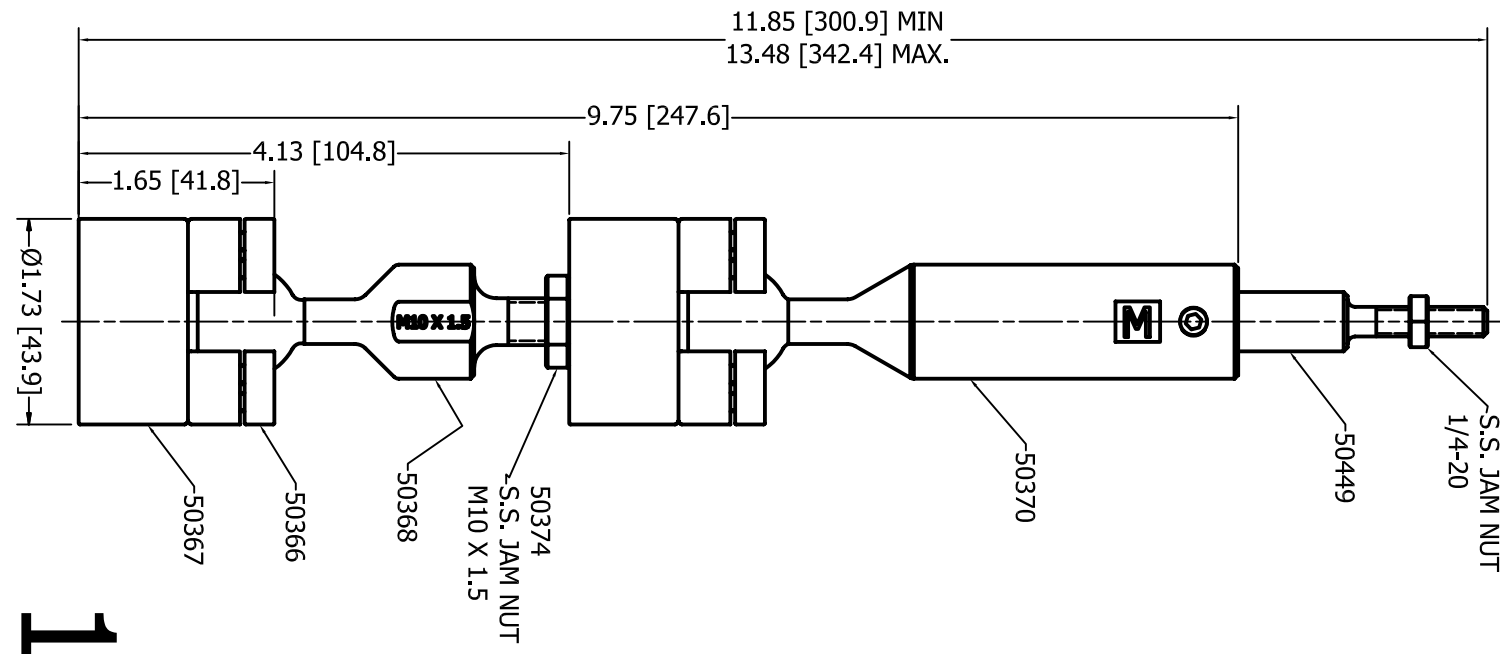
50367

50366

THD'D FOR
M10 X 1.5 BOLT

C'BORED FOR
M8 S.H.C.S.

BOLTS REQ'D
FOR MTG. ARE
NOT PROVIDED



SEE LITERATURE
& LABEL FOR
MOUNTING STYLES

"METRIC" IBM10+1TM.25-20