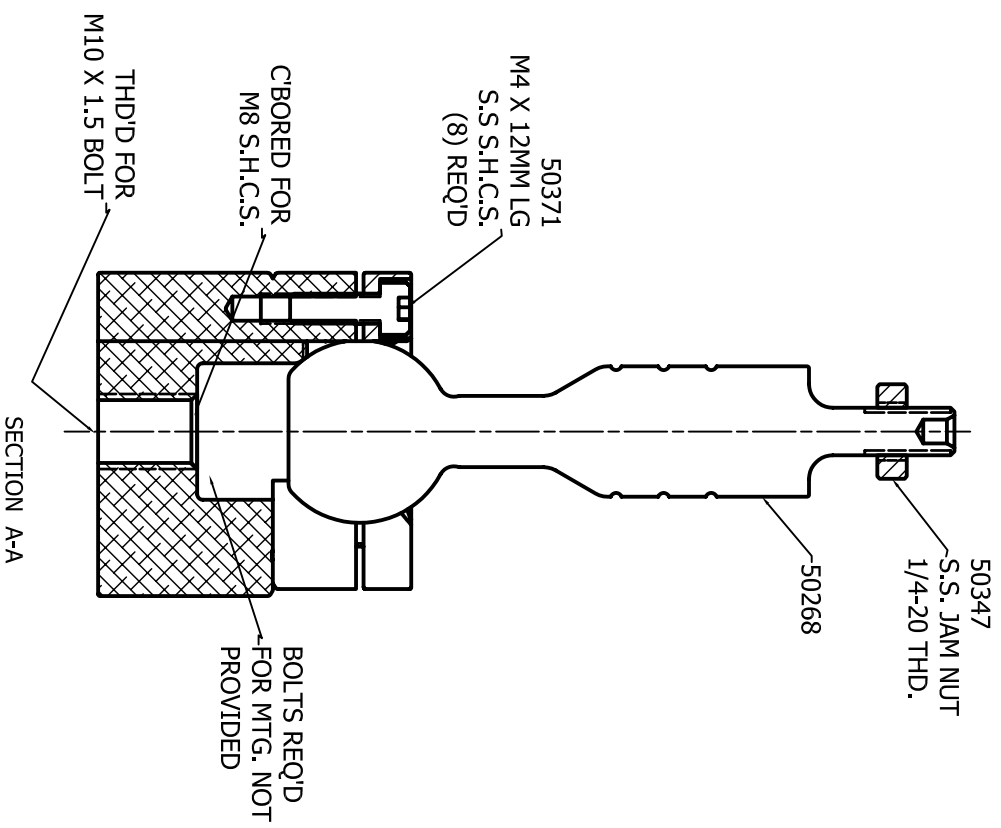
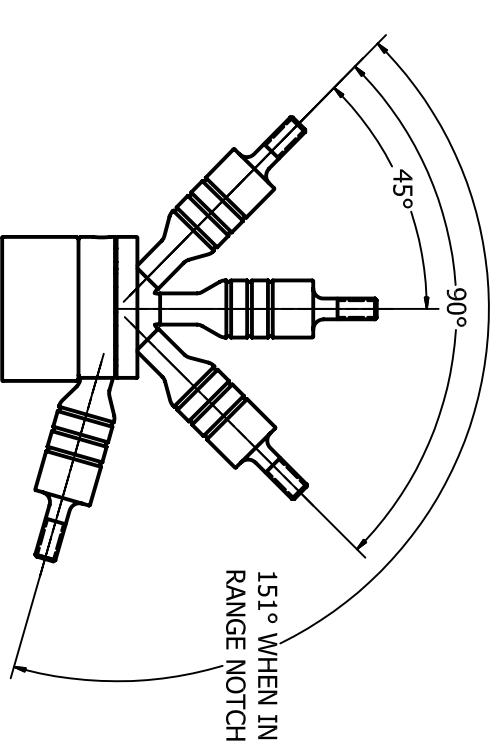
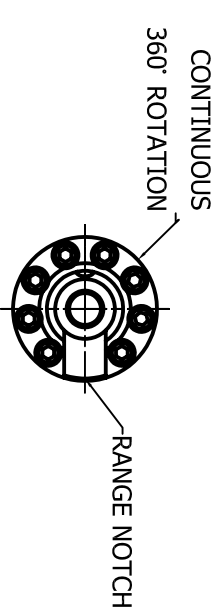
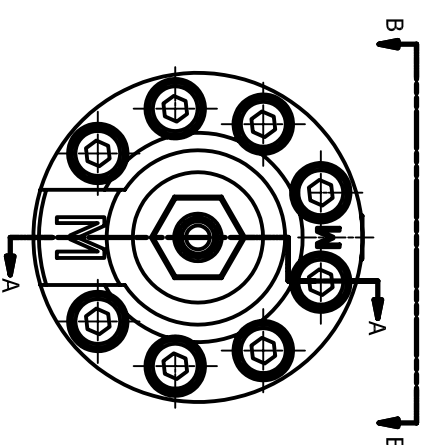


50372
S.S. S.H.S.S. CONE POINT
.M6 X 10MM LG.
MCMMASTER CARR# 91217A220



50371
M4 X 12MM LG
S.S. S.H.C.S.
(8) REQ'D

50347
S.S. JAM NUT
1/4-20 THD.

50268

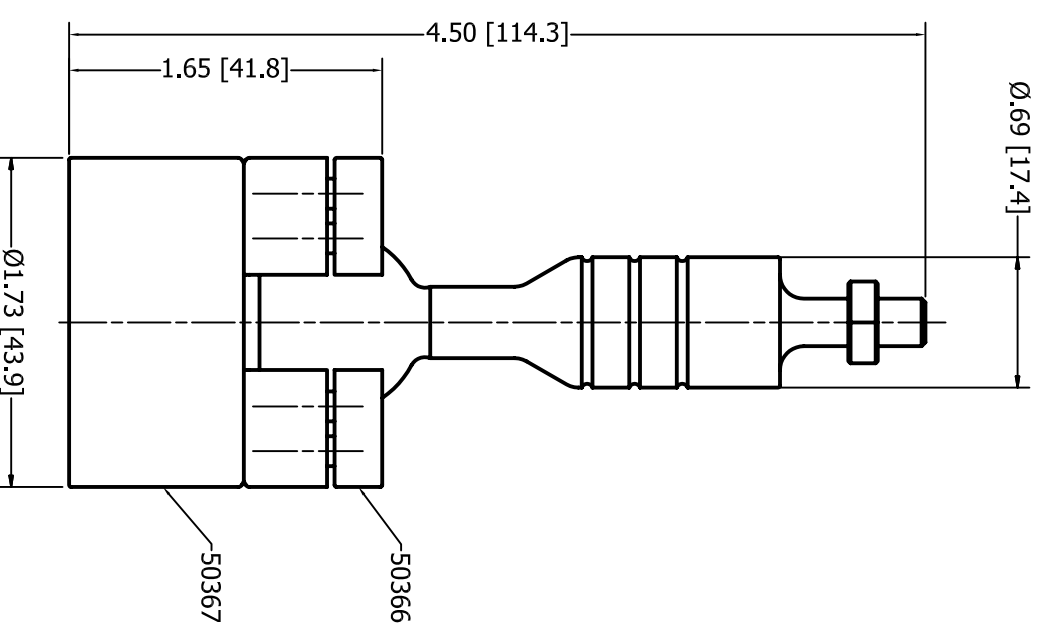
50366

50367

THD'D FOR
M10 X 1.5 BOLT

C'BORED FOR
M8 S.H.C.S.

BOLTS REQ'D
FOR MTG. NOT
PROVIDED



SEE LITERATURE
& LABEL FOR
MOUNTING STYLES

"METRIC"
1BM.25-20