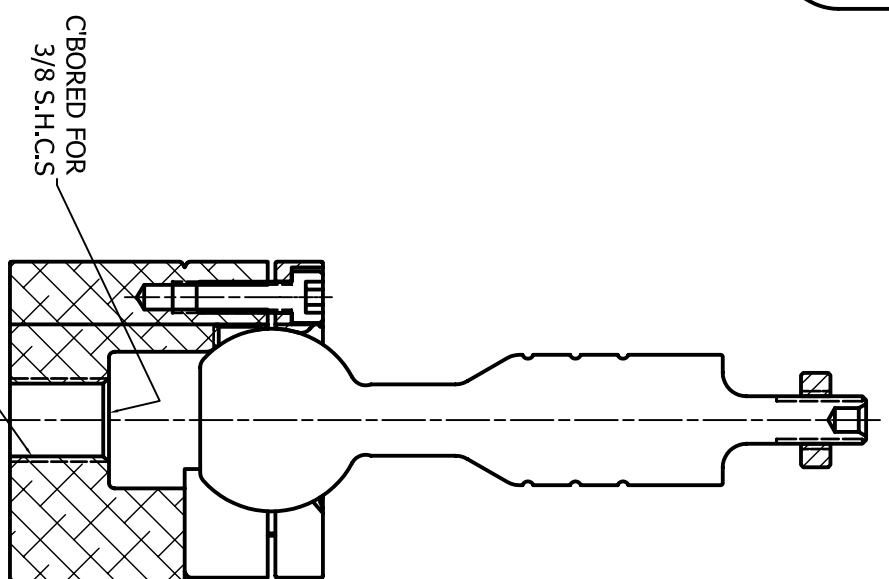
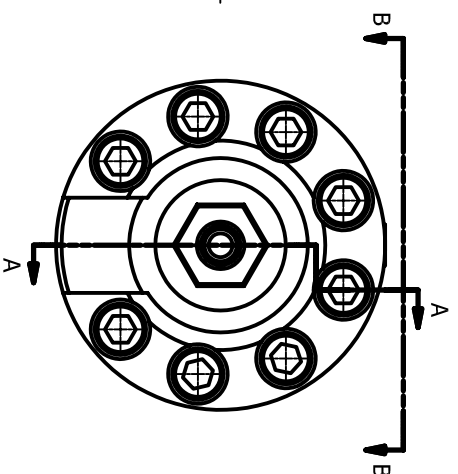
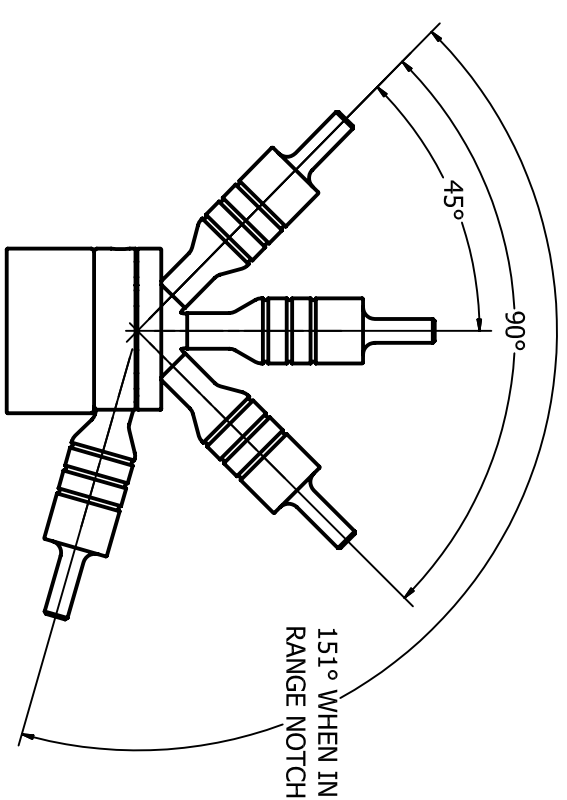
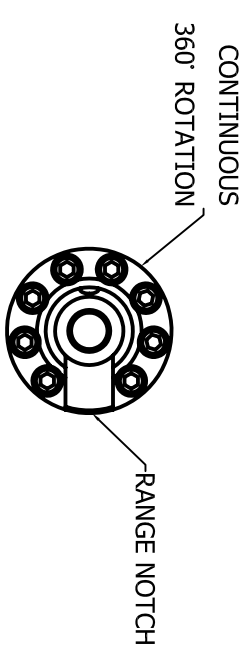
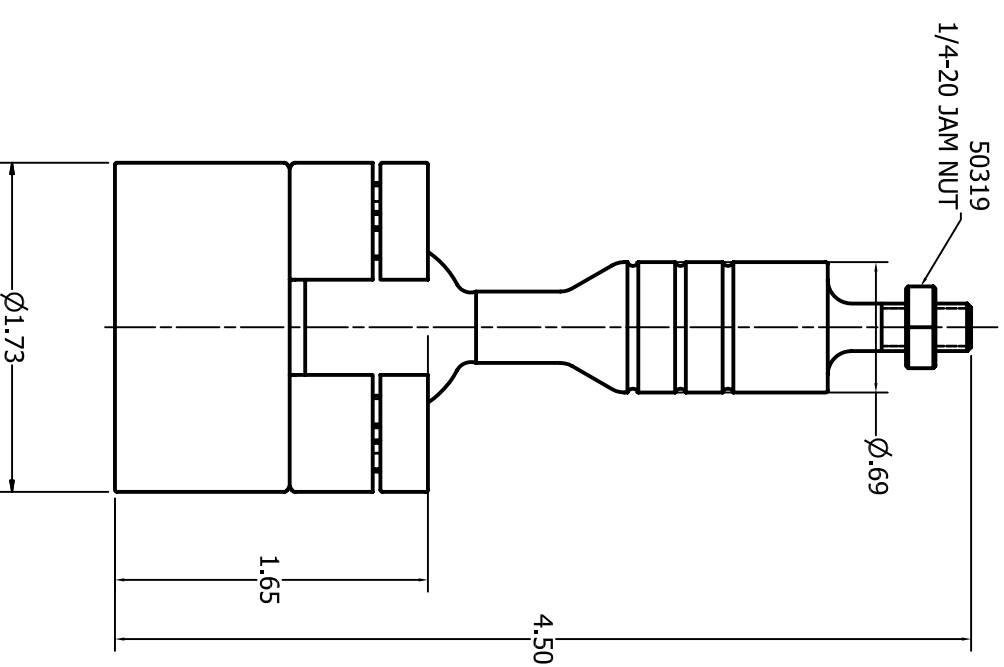


VIEW B-B



SECTION A-A

SEE LITERATURE  
& LABEL FOR  
MOUNTING STYLES



TYICAL SINGLE  
ARTICULATION  
THIS VIEW  
1/2 SCALE

**1B25**

